

## KIT FN / SC

Composed by : compression sensor SC -iron- ( use 4 or 6 sensor ) , digital electronic part FN , programming tool FN-BOX ( una-tantum , only use in programming step ).

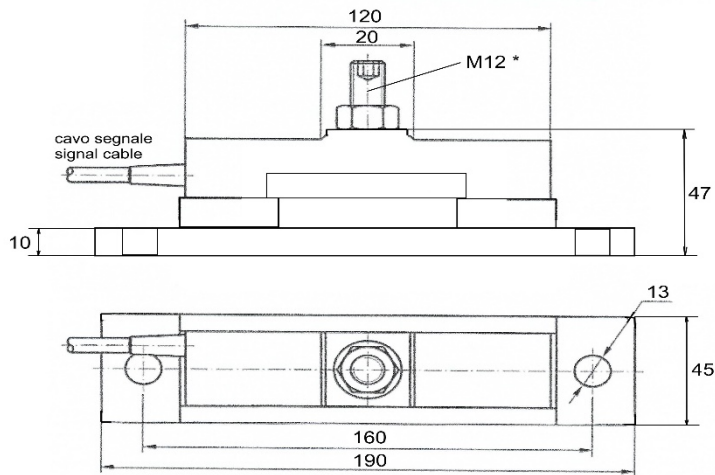
### **VERY IMPORTANT** : **Calibration without load**

Sensor to be applied under the cab or under the floor - Mounts and make adjustments in the lower part of the frame-under the cabin.

The sensor SC support mechanically the cabin / floor

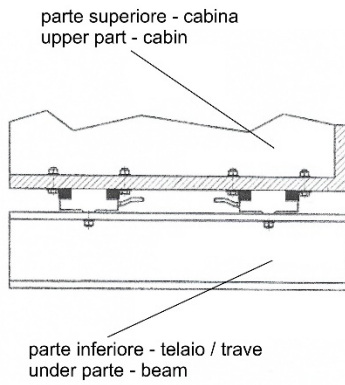
- Version SC , nominal load ( each sensor ) 800kg .
- Good accuracy - standard cable 2 meters - Protection from temperature , humidity, dust - Structure solid -iron- - dim. 190 x 45 h47 mm.

DIMENSIONI E MISURE IN mm - MEASURE AND DIMENSION mm

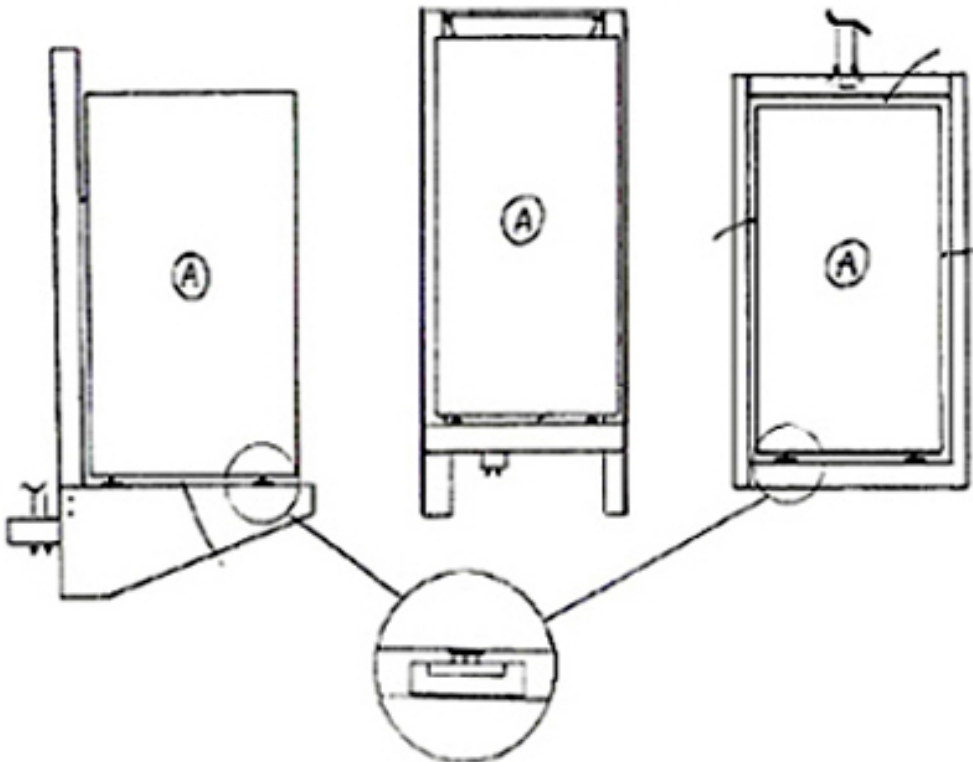
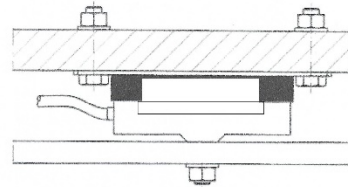


\* regolazione altezza da 20 a 30 mm - regulation height 20 to 30 mm

APPLICAZIONE TIPICA DEL SENSORE  
SENSOR - TYPICAL APPLICATION



PARTICOLARE DELL'APPLICAZIONE DEL SENSORE  
SENSOR APPLICATION - DETAIL



**Box kits for FN programming, una-tantum tool.**

**7 segment viewer - Indications for immediate programming and tours – Once calibrated the electronic FN-A, box of programming is no longer needed - The dimensions are**

***very small - Connects electronics FN-A with serial , once the program takes off the connector, kit and load control FN continues to operate independently.***

